

Foundation Privacy Panels - Single - Double - Triple

Foundation



PRODUCT INFO

Description

Our Foundation Privacy Panels are ideal for the modern, open office. Use a single panel to help absorb ambient noise or pin up your project. Zip together the Double and Triple configurations to provide flexible spaces to take refuge in or share with your team.

Construction

Contract quality through and through with pressed, PET felt panels supported by stable, powder coated steel bases. Our PET Felt is sturdy while maintaining its inherent softness and warmth. Double and Triple panels zip together with a heavy-duty chrome zipper.

Dimensions

Each Panel: H:59" W:48" D:.375"
Base Dimensions: H:.25" W:19.5" D:11"

Care

Wipe clean with a soft cloth. Immediately blot spills with a clean white cloth, moving toward the center of the spill. Do not rub.

Assembly

Easy assembly with included instructions and tool

Warranty

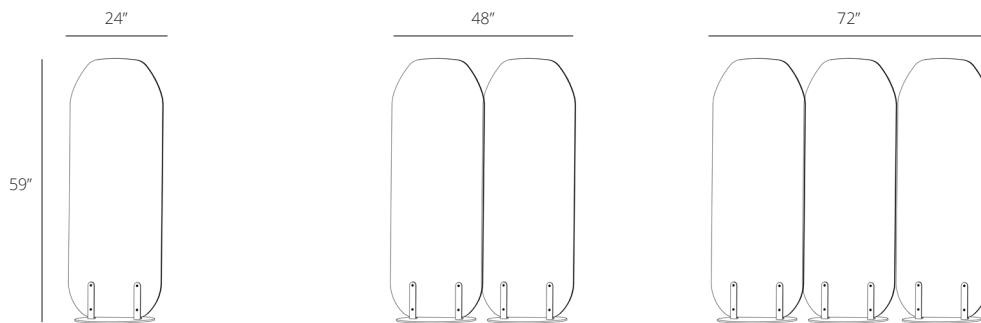
10 years*
1 year for zippers

Finishes

Light Grey Felt with Matte White Powdercoat base

Lead time

In stock ships in 2 business days Custom requests and backorders ship in 12 - 16 weeks

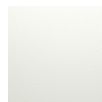


PET FELT



LIGHT GREY

POWDER COATED BASE



WHITE